



Plastic Flowmeter

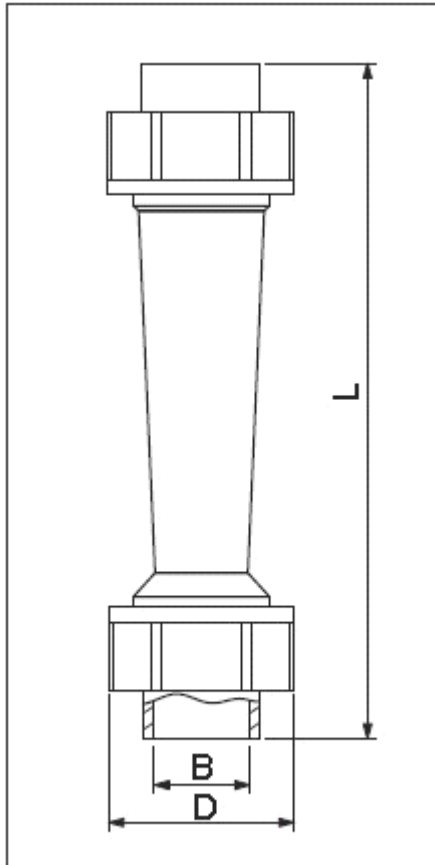
LZB-QS series plastic flowmeter

S a

LZB-()S plastic tube flowmeter is featured with light weight, corrosion resistant, unbreakable, innoxious, tasteless and convenient. It is widely used in chemical industry, light industry, pharmacy, food, environment protection etc.

O l i e a d I a l l a i S i e

Table 1



Parts	Materials
Bolts	ABS
Stop	
Float	
Connection	
Taper tube	AS
Seals	NR

Fig.1



Plastic Flowmeter

Technical Parameters

Shibeie										
DN()	Model	Measuring range	Size()			Weight ()	Threaded ()	Accuracy	Pressure (MPa)	Temperature ()
			L	B	D					
15	LZB-15S	6 60L/h	200	20	45	20	G1/2"	4	0.6	0 40 Medicine, acid, base
		10 100L/h								
25	LZB-25S	0.1 1 ³ /h	226	32	60	32	G3/4"	4	0.6	0 40 Medicine, acid, base
		0.16 1.6 ³ /h								
		0.25 2.5 ³ /h								
32	LZB-32S	0.3 3 ³ /h	288	40	74	40	G1"	4	0.6	0 40 Medicine, acid, base
		0.4 4 ³ /h								
50	LZB-50S	0.6 6 ³ /h	341	63	98	63	G1 1/2"	4	0.6	0 40 Medicine, acid, base
		1 10 ³ /h								
65	LZB-65S	1.6 16 ³ /h	430	75	122	75	G2"	4	0.6	0 40 Medicine, acid, base
		5 25 ³ /h								
		8 40 ³ /h								
		12 60 ³ /h								

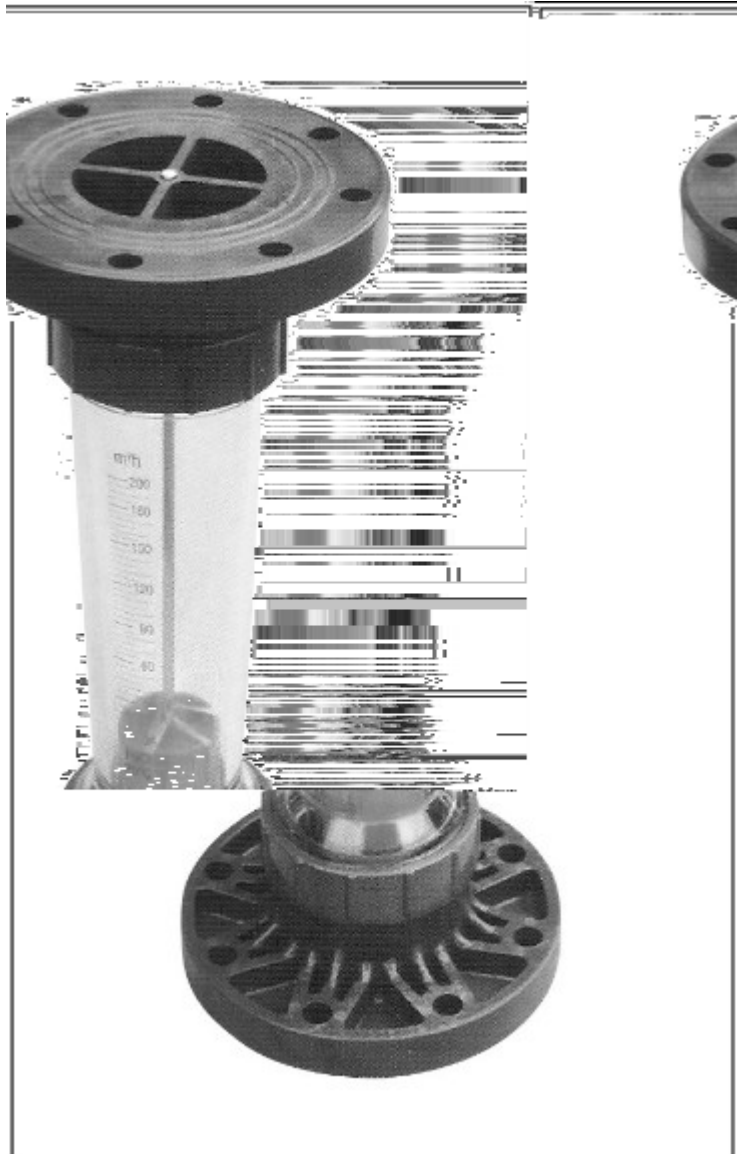
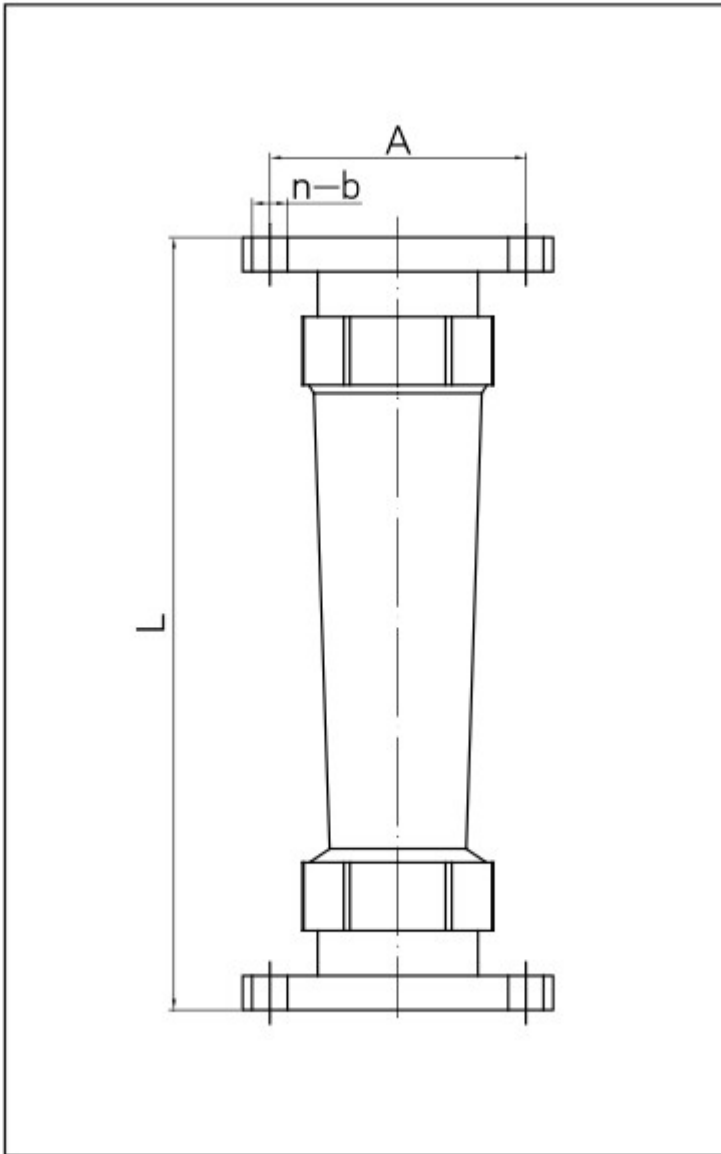
Ligbeie										
DN()	Model	Measuring range	Size()			Weight ()	Threaded ()	Accuracy	Pressure (MPa)	Temperature ()
			L	B	D					
15	LZB-15SL	10 100L/h	280	20	45	20	G1/2"	4	0.6	0 40 Medicine, acid, base
		16 160L/h								
		25 250L/h								
		40 400L/h								
		60 600L/h								
25	LZB-25SL	100 1000L/h	380	32	68	32	G3/4"	4	0.6	0 40 Medicine, acid, base
		160 1600L/h								
		250 2500L/h								
		300 3000L/h								
50	LZB-50SL	0.4 4 ³ /h	435	63	98	63	G1 1/2"	4	0.6	0 40 Medicine, acid, base
		0.6 6 ³ /h								
		1 10 ³ /h								
		1.6 16 ³ /h								

Changchun Chemical Engineering Co., Ltd.
 Tel: 86-519-85327611 (Ext.) Fax: 86-519-85503588, 86-519-85503688
 Website: // . f- e e . c



Plastic Flowmeter

O l i e a d I a l l a i S i e



Ch a g h C h e g f e g F l e e C ., L d
Tel:86-519-85327611(E De .) S i c h b a d:86-519-85503588/85503688
Fa :86-519-85505269,86-519-85503588-8008 H :// . f - e e . c



Plastic Flowmeter

Technical Parameters

Parameters								
DN (mm)	Model	Measuring range	Size (mm)			Accuracy	Pressure (MPa)	Temperature (°C)
			L	A	Height			
15	LZB-15S	6-60 L/h	240	65	4-14	4	0.6	-40 Media: water, acid, alkali
	LZB-15SL	10-100 L/h	320					
25	LZB-25S	0.1-1.1 m³/h	282	85	4-14			
	LZB-25SL	0.16-1.6 m³/h 0.25-2.5 m³/h	432					
32	LZB-32S	0.4-4 m³/h 0.6-6 m³/h	351	100	4-18			
50	LZB-50S	1-10 m³/h	425	125	4-18			
	LZB-50SL	1.6-16 m³/h	519					
65	LZB-65S	5-25 m³/h 8-40 m³/h 12-60 m³/h	528	145	4-18			
100	LZB-100S	8-50 m³/h 14-90 m³/h 16-120 m³/h	555	180	8-18			
125	LZB-125S	25-150 m³/h 25-180 m³/h 25-200 m³/h	555	210	8-18			
150	LZB-150S	25-150 m³/h 25-180 m³/h 25-200 m³/h	555	240	8-22			

Changchun Chegfeng Plastic Flowmeter Co., Ltd.
 Tel: 86-519-85327611 (Ext. 200) Fax: 86-519-85503588/85503688
 Address: No. 10, Zhongyuan Road, Wujiaochang, Wuxi, Jiangsu, China
 Website: www.changchunchegefeng.com