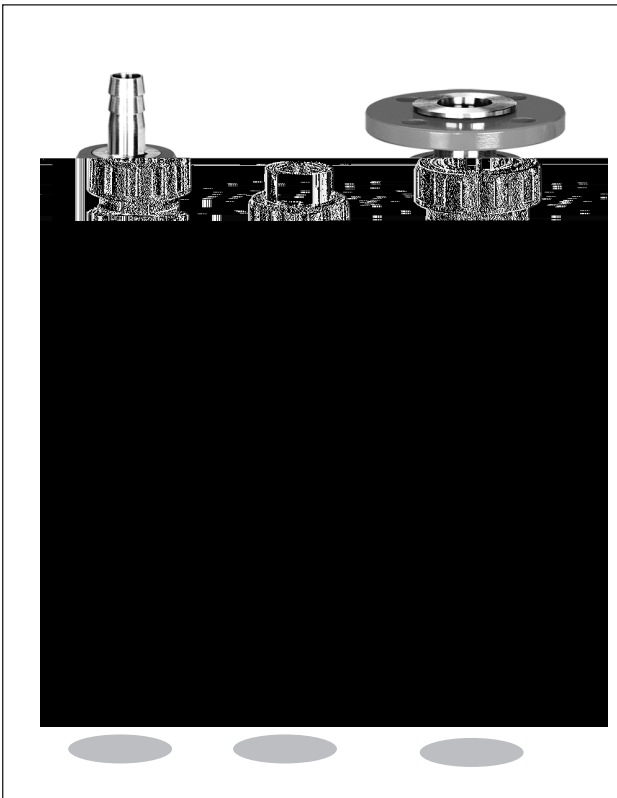
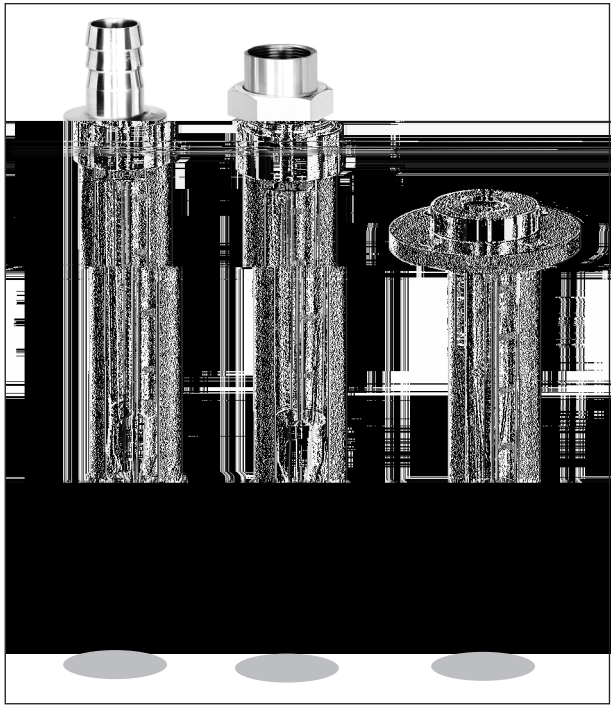
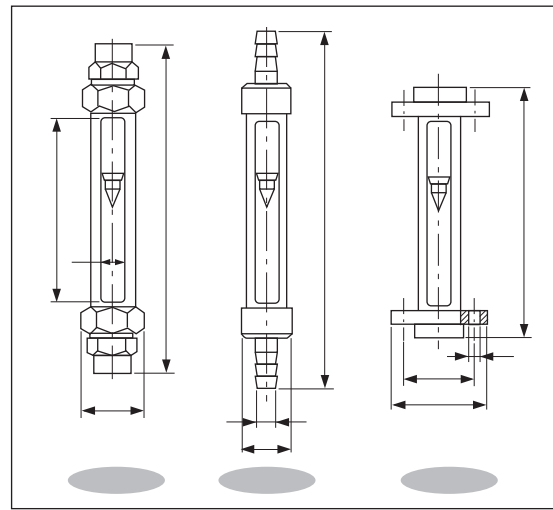




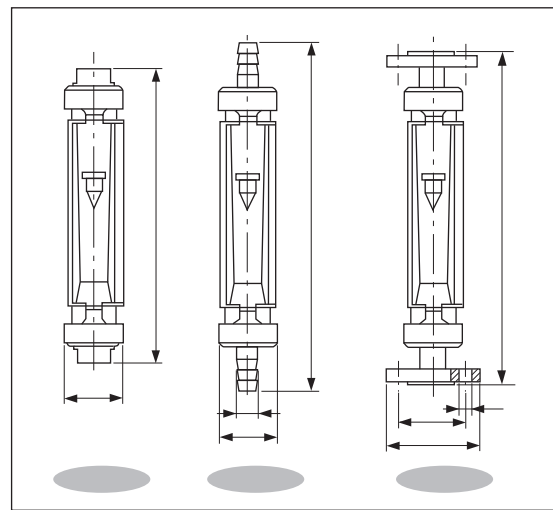
**SUMMARY**



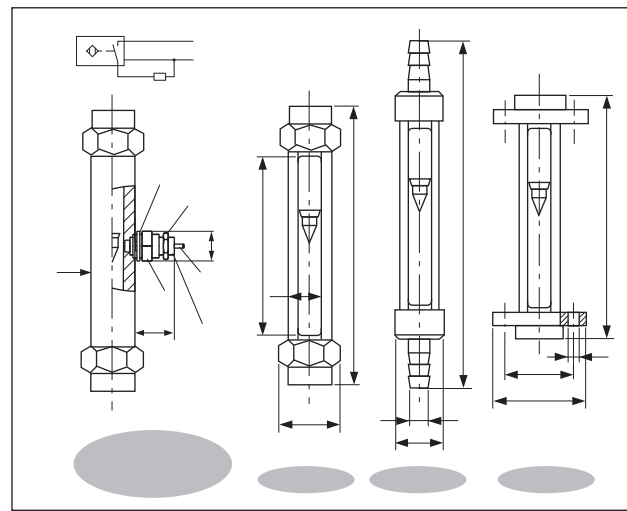
The profile and edge-linked dimensions



					∅	∅		∅	∅
					∅	∅		∅	∅
					∅	∅		∅	∅
					∅	∅		∅	∅



					∅	∅		∅	∅
					∅	∅		∅	∅
					∅	∅		∅	∅
					∅	∅		∅	∅



					∅	∅		∅	∅
					∅	∅		∅	∅
					∅	∅		∅	∅
					∅	∅		∅	∅

Types and technical parameters


The material of the parts touching the fluid measured
